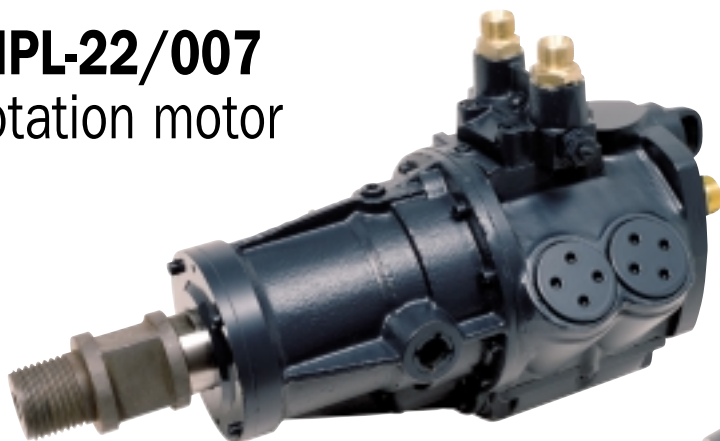


PNEUMATIC MOTORS

Piston-type air motors

for down-the-hole hammer drilling machines

MPL-22/007
rotation motor



MP-22/007
feed motor



MPL-22/005
rotation motor
with higher torque

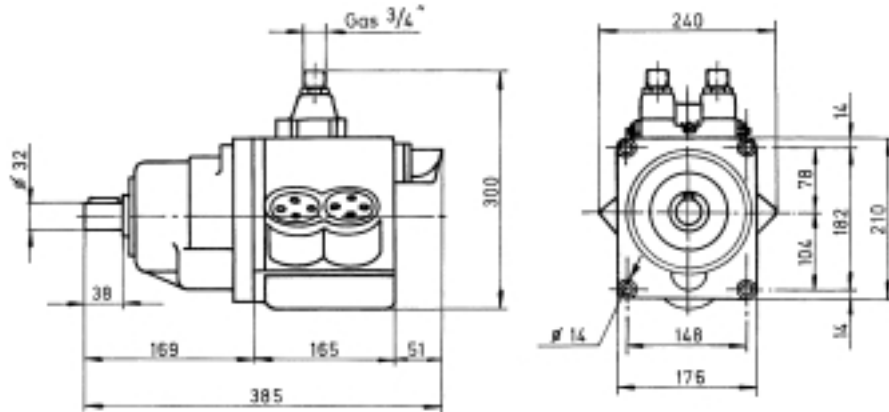
Interchangeable spare parts and accesories



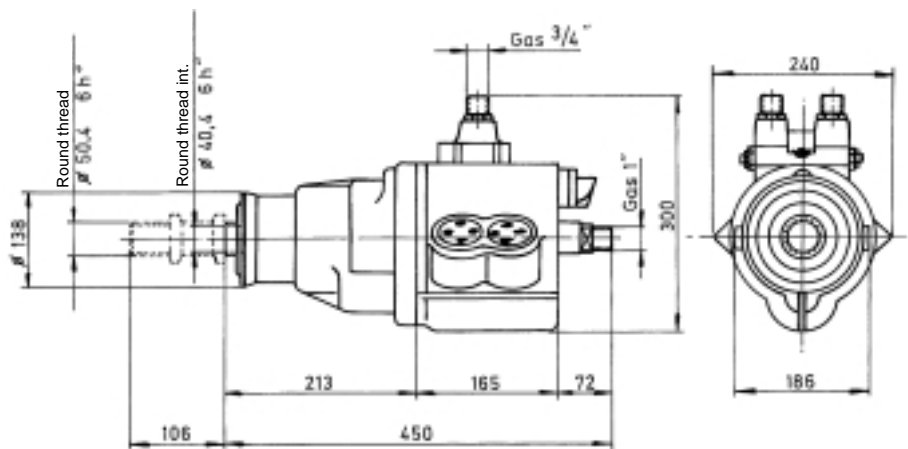
PISTON AIR MOTORS TYPE MP

DIMENSIONS

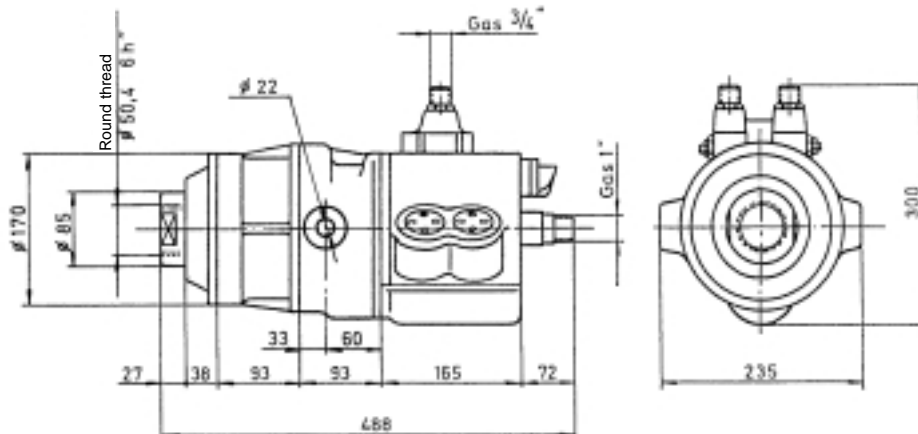
MP22-007 FEED



MPL22-007 ROTATION



MPL22-005 ROTATION (Higher torque)



TECHNICAL DATA (Air pressure = 6 bars)

MODEL	Max. power		Speed at max. power (r/min)	Free speed (r/min)	Torque at max. power (Nm)	Min. starting torque (Nm)	Weight (Kg)	Air consumption at max. power (l/min)
	H.P.	KW						
MP22-007	2.2	1.62	50	105	650	450	22	2,000
MPL22-007	2.2	1.62	50	105	650	450	30.5	2,000
MPL22-005	2.2	1.62	40	82	780	546	42	2,000

NEUMAC

**MECANIZADOS
SEGEDA, S.L.**

C/ Guadiana, 49
P.I. LOS CAÑOS
06300 Zafrá (Badajoz)
España (Spain)

Teléfono (34) 924 56 30 31
Fax (34) 924 55 39 55
E-mail: neumac@neumac.es
www.neumac.es