

PNEUMATIC MOTORS

Multi-vane air motors, from 0.4 to 0.7 HP

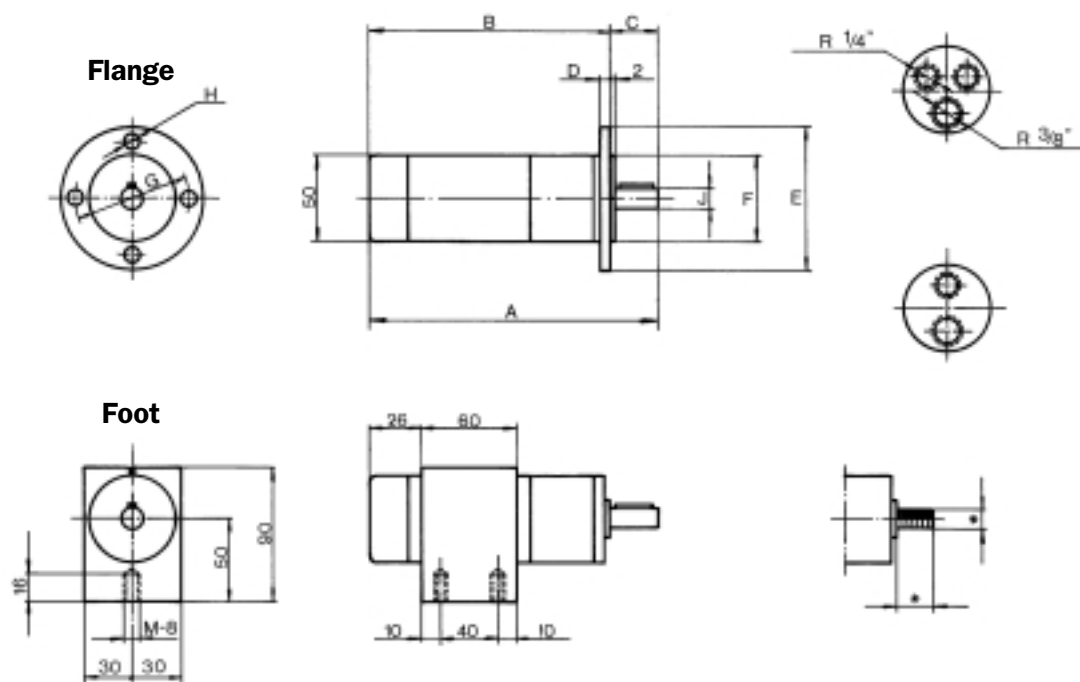


type MA/MAR

- Light and compact design
- Flange or foot mounting
- Wide range of output speeds
- For many industrial uses on:
 - Mixers and agitators
 - Machining tools
 - Automated installations
 - etc.

VANE AIR MOTORS TYPE MA/MAR

DIMENSIONS



MODEL	A	B	C	D	E	F	G	H	J
MA-05/18	143	118	25	6	80	50	65	6.5	10
MAR-05/14									
MA-05/04	180	155	25	6	80	50	65	6.5	10
MAR-05/02									
MA-07/90	116	100	16	6	80	50	65	6.5	8
MAR-07/65									
MA-07/07	160	135	25	6	80	50	65	6.5	10
MAR-07/05									
MA-07/01	221	195	26	7	120	80	100	100	14
MAR-07/01									

TECHNICAL DATA (Air pressure = 6 bars)

MODEL	Max. power		Speed at max. power (r/min)	Free speed (r/min)	Torque at max. power (Nm)	Min. starting torque (Nm)	Weight (Kg)	Air consumption at max. power (l/min)
	H.P.	kW						
Clockwise								
MA-05/18	0.52	0.38	1,800	3,600	2.1	3.15	1.35	500
MA-05/04	0.48	0.35	380	750	9	13.5	1.65	480
MA-07/90	0.70	0.51	9,000	18,000	0.6	0.9	1.10	660
MA-07/07	0.63	0.46	750	1,500	6.2	9.3	1.37	640
MA-07/01	0.57	0.42	147	300	29	43.5	2.35	620
Reversible								
MAR-05/14	0.41	0.3	1,400	2,800	2.5	3.75	1.33	480
MAR-05/02	0.37	0.27	260	520	10.5	15.75	1.63	460
MAR-07/65	0.56	0.41	6,500	13,000	0.7	1.05	1.12	640
MAR-07/05	0.51	0.37	560	1,100	6.6	9.9	1.39	620
MAR-07/01	0.47	0.35	100	200	33.6	50.4	2.37	600

NEUMAC

**MECANIZADOS
SEGEDA, S.L.**

C/ Guadiana, 49
P.I. LOS CAÑOS
06300 Zafra (Badajoz)
España (Spain)

Teléfono (34) 924 56 30 31
Fax (34) 924 55 39 55
E-mail: neumac@neumac.es
www.neumac.es