

# **PNEUMATIC MOTORS**

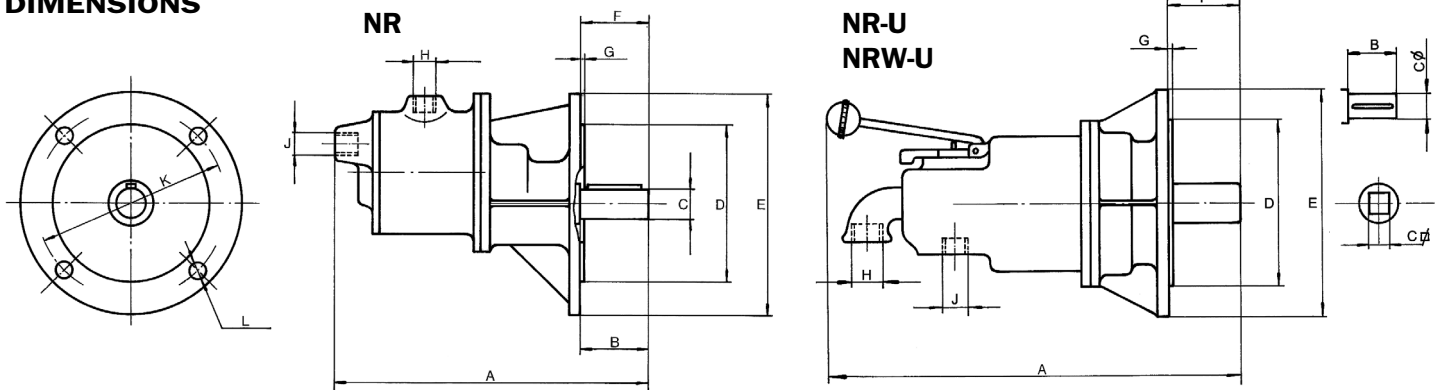
**Multi-vane air motors, from 2.4 to 6.0 HP**

## **type NR**

- Reversible, flange mounting, with gearbox
- For use in mining or public works equipment (drilling machines, grouting equipment, conveyor belts, etc.), chemical and petrochemical industry, shipyards, steel mills, etc.
- Special versions with built-in operating and reversing valve, for use in naval equipment such as winches, hose reels, etc. Available with female  $\square$  shaft and quick coupling flanges.

# VANE AIR MOTORS TYPE NR

## DIMENSIONS



MODEL	A	B	C	D	E	F	G	H	J	K	L		
3NR-30	205	50	24	130	170	50	3.5	3/4"	3/4"	150	8.5		
3NR-15	333	60	28		200					60	11.5		
3NR-04	292		32	160	230	14							
3NR-007	410	50	35	130			72.5			4.5	185		
4NR-30	240	60	28	130	170	60	3.5			150	8.5		
4NR-15	358				200					11.5			
4NR-04	317				32			160	195				
4NR-007	435	50	35	130	230	72.5	4.5	185	14				
6NR-30	240	60	28	160	190	60	3.5	1"	1"	172	8.5		
6NR-15	363				250					14			
6NR-09	380	80	38	180	250	80	4.5				215		
6NR-04	390									190			
3NR-30U	405	60	Ø28	130	230	72.5	4.5			1"	1"	150	8.5
3NR-15U	523			200	11.5								
3NR-04U	482			160		14							
3NR-007U	600	50	Ø35	130	230		72.5	4.5	185				
4NR-30U	430	60	Ø28		170	60	3.5	150	8.5				
4NR-15U / 4NRW-15U	548/534	60/-	Ø28/□27	200	60/45.5	3.5		165	11.5				
4NR-04U / 4NRW-04U	507/497	60/-	Ø28/□27	160	60/46.5		195						
4NR-007U	625	50	Ø35	130	230	72.5	4.5	185	14				
6NR-30U	434	60	Ø28	160	190	60	3.5	172	8.5				
6NR-15U / 6NRW-15U	549/547	60/-	Ø28/□27	180	250	60/58	4.5	1-1/4"	215	14			
6NR-09U / 6NRW-09U	567/532	80/-	Ø38/□27		80/48								
6NR-04U / 6NRW-04U	584/552	80/-	Ø38/□27		80/44								

NOTE: Other dimensions of shafts or planges available on request

## TECHNICAL DATA (Air pressure = 6 bars)

MODEL	Max. power		Speed at max. power (r/min)	Free speed (r/min)	Torque at max. power (Nm)	Min. starting torque (Nm)	Weight (Kg)	Air consumption at max. power (l/min)
	H.P.	kW						
3NR-30 / 3NR-30U	2.80	2.06	3,000	6,000	6.7	10.1	7	2,700
3NR-15 / 3NR-15U	2.71	1.98	1,300	2,600	15.0	22.5	10.4	
3NR-04 / 3NR-04U	2.58	1.91	460	920	41.0	61.5	14	
3NR-007 / 3NR-007U	2.38	1.76	75	150	230.0	345.0	27.5	
4NR-30 / 4NR-30U	3.90	2.87	3,000	6,000	9.3	14.0	8.5/12.5	3,600
4NR-15 / 4NR(W)-15U	3.69	2.72	1,300	2,600	20.4	30.6	14/19	
4NR-04 / 4NR(W)-04U	3.38	2.50	460	920	52.7	79.0	15.5/19.5	
4NR-007 / 4NR-007U	3.17	2.35	75	150	306.0	459.0	29	5,000
6NR-30 / 6NR-30U	6.00	4.41	3,000	6,000	14.3	21.5	12.5/19	
6NR-15 / 6NR(W)-15U	5.68	4.19	1,500	3,000	27.2	40.8	19.5/26	
6NR-09 / 6NR(W)-09U	5.68	4.19	950	1,900	41.0	61.5	17.5/24	
6NR-04 / 6NR(W)-04U	5.45	4.01	450	900	87.5	131.2	21.5/28	

# NEUMAC

**MECANIZADOS  
SEGEDA, S.L.**

C/ Guadiana, 49  
P.I. LOS CAÑOS  
06300 Zafra (Badajoz)  
España (Spain)

Teléfono (34) 924 56 30 31  
Fax (34) 924 55 39 55  
E-mail: neumac@neumac.es  
www.neumac.es