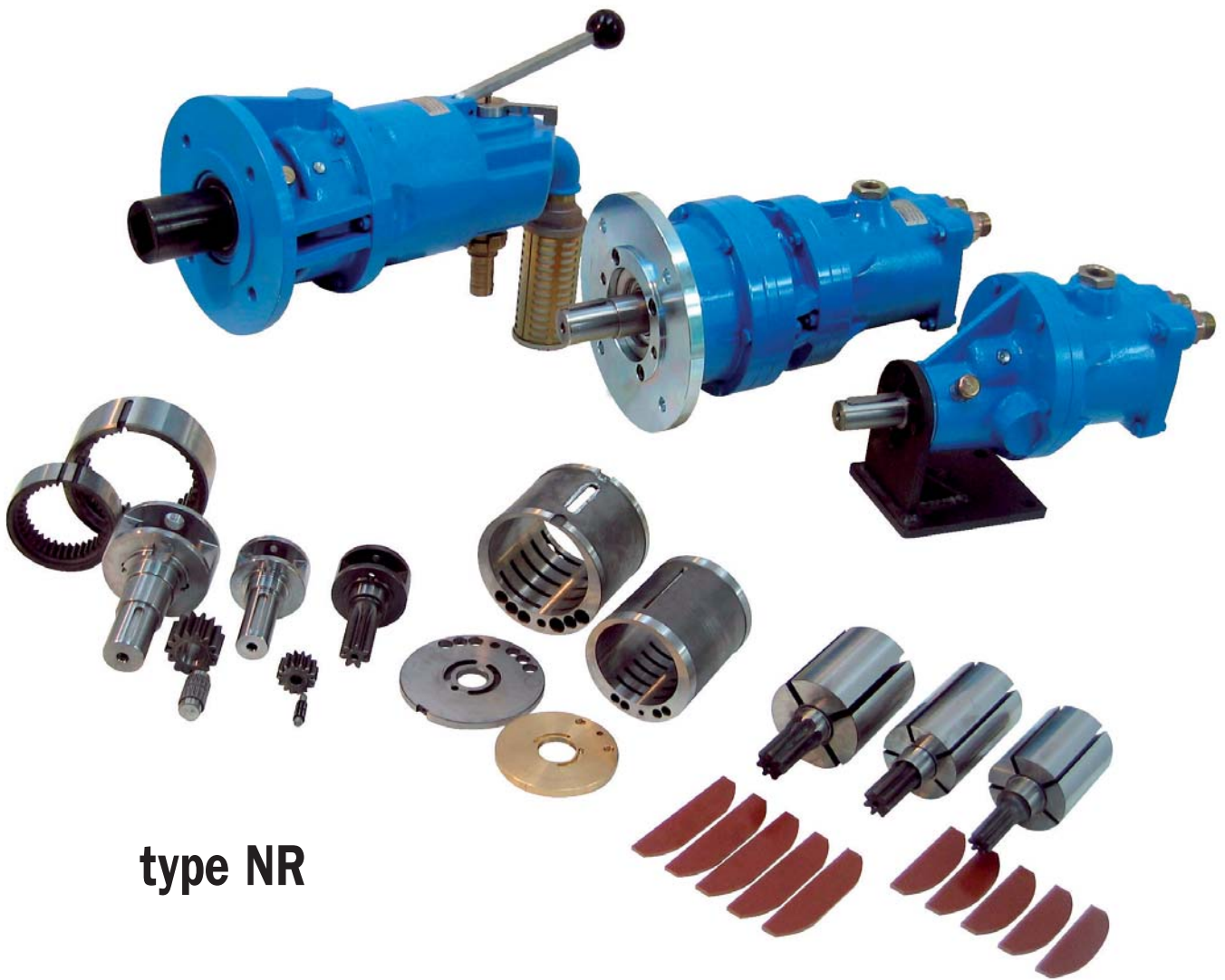


PNEUMATIC MOTORS

Multi-vane air motors, from 2.4 to 6.0 HP

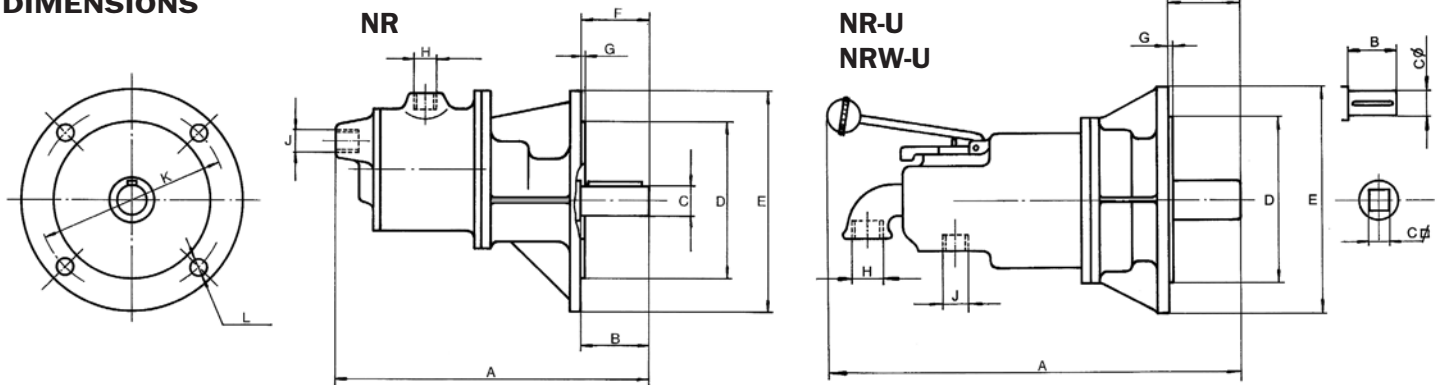


type NR

- Reversible, flange mounting, with gearbox
- For use in mining or public works equipment (drilling machines, grouting equipment, conveyor belts, etc.), chemical and petrochemical industry, shipyards, steel mills, etc.
- Special versions with built-in operating and reversing valve, for use in naval equipment such as winches, hose reels, etc. Available with female \square shaft and quick coupling flanges.

VANE AIR MOTORS TYPE NR

DIMENSIONS



MODEL	A	B	C	D	E	F	G	H	J	K	L		
3NR-30	205	50	24	130	170	50	3.5	3/4"	3/4"	150	8.5		
3NR-15	333	60	28		200	60				165	11.5		
3NR-04	292		32	160	230	195							
3NR-007	410	50	35	130	72.5	4.5	185			14			
4NR-30	240	60	28	130	170	60	3.5	1"	1"	150	8.5		
4NR-15	358			200	165					11.5			
4NR-04	317		32	160	195								
4NR-007	435	50	35	130	230	72.5	4.5			185	14		
6NR-30	240	60	28	160	190	60	3.5	1"	1"	172	8.5		
6NR-15	363			180	250	80	4.5			215	14		
6NR-09	380	80	38	180	250	80	4.5			1-1/4"	1-1/4"	215	14
6NR-04	390												
3NR-30U	405	60	Ø28	130	230	72.5	4.5	1"	1"			150	8.5
3NR-15U	523			200	60	3.5	165					11.5	
3NR-04U	482			160	230	72.5	4.5			185	14		
3NR-007U	600	50	Ø35	130	170	60	3.5			1"	1"	150	8.5
4NR-30U	430	60	Ø28		200	60/45.5		165	11.5				
4NR-15U / 4NRW-15U	548/534	60/-	Ø28/□27	160	230	60/46.5	4.5	185				14	
4NR-04U / 4NRW-04U	507/497	60/-	Ø28/□27	130	72.5	4.5	172	8.5					
4NR-007U	625	50	Ø35	180	250	60/58	4.5	1-1/4"	1-1/4"	215	14		
6NR-30U	434	60	Ø28	190	60	80/48							
6NR-15U / 6NRW-15U	549/547	60/-	Ø28/□27	180	250	80/44							
6NR-09U / 6NRW-09U	567/532	80/-	Ø38/□27										
6NR-04U / 6NRW-04U	584/552	80/-	Ø38/□27										

NOTE: Other dimensions of shafts or planges available on request

TECHNICAL DATA (Air pressure = 6 bars)

MODEL	Max. power		Speed at max. power (r/min)	Free speed (r/min)	Torque at max. power (Nm)	Min. starting torque (Nm)	Weight (Kg)	Air consumption at max. power (l/min)
	H.P.	kW						
3NR-30 / 3NR-30U	2.80	2.06	3,000	6,000	6.7	10.1	7	2,700
3NR-15 / 3NR-15U	2.71	1.98	1,300	2,600	15.0	22.5	10.4	
3NR-04 / 3NR-04U	2.58	1.91	460	920	41.0	61.5	14	
3NR-007 / 3NR-007U	2.38	1.76	75	150	230.0	345.0	27.5	
4NR-30 / 4NR-30U	3.90	2.87	3,000	6,000	9.3	14.0	8.5/12.5	3,600
4NR-15 / 4NR(W)-15U	3.69	2.72	1,300	2,600	20.4	30.6	14/19	
4NR-04 / 4NR(W)-04U	3.38	2.50	460	920	52.7	79.0	15.5/19.5	
4NR-007 / 4NR-007U	3.17	2.35	75	150	306.0	459.0	29	
6NR-30 / 6NR-30U	6.00	4.41	3,000	6,000	14.3	21.5	12.5/19	5,000
6NR-15 / 6NR(W)-15U	5.68	4.19	1,500	3,000	27.2	40.8	19.5/26	
6NR-09 / 6NR(W)-09U	5.68	4.19	950	1,900	41.0	61.5	17.5/24	
6NR-04 / 6NR(W)-04U	5.45	4.01	450	900	87.5	131.2	21.5/28	

NEUMAC

NEUMAC, S.A. Polígono de Malpica, A, 16
50016 ZARAGOZA
España (Spain)

Teléfono (34) 976 57 10 01
Fax (34) 976 57 38 98
E-mail: neumac@neumac.es
www.neumac.es