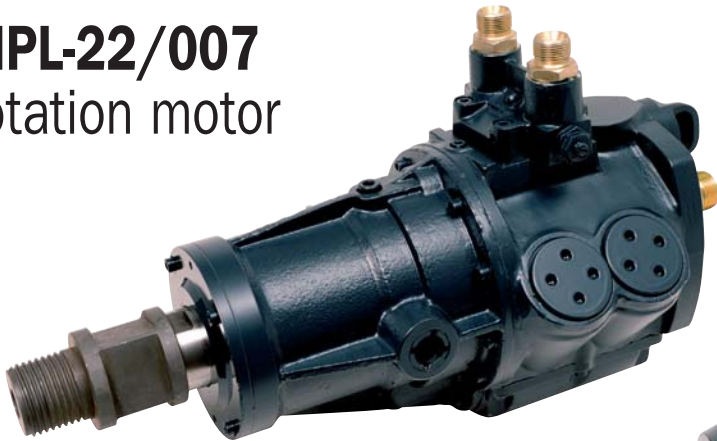


PNEUMATIC MOTORS

Piston-type air motors

for down-the-hole hammer drilling machines

MPL-22/007
rotation motor



MP-22/007
feed motor



MPL-22/005
rotation motor
with higher torque

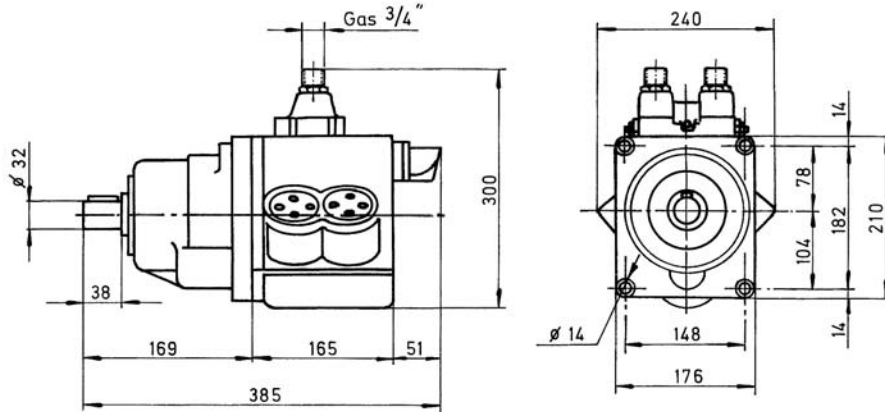
Interchangeable spare parts and accesories



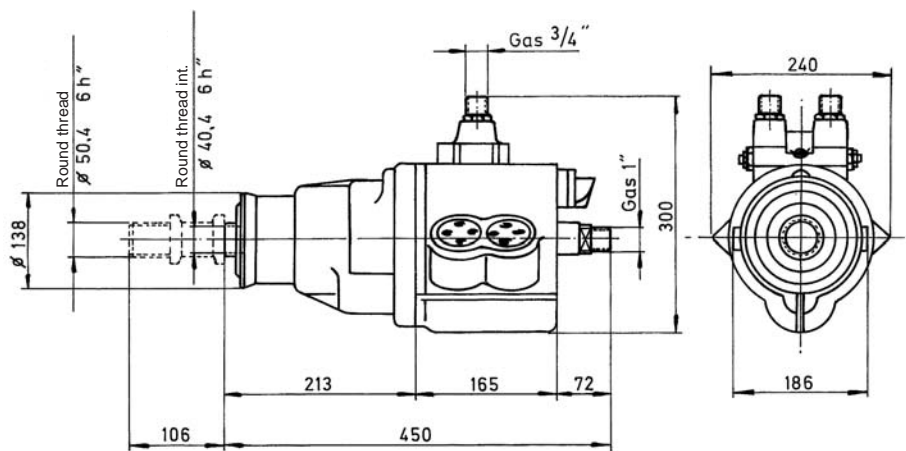
PISTON AIR MOTORS TYPE MP

DIMENSIONS

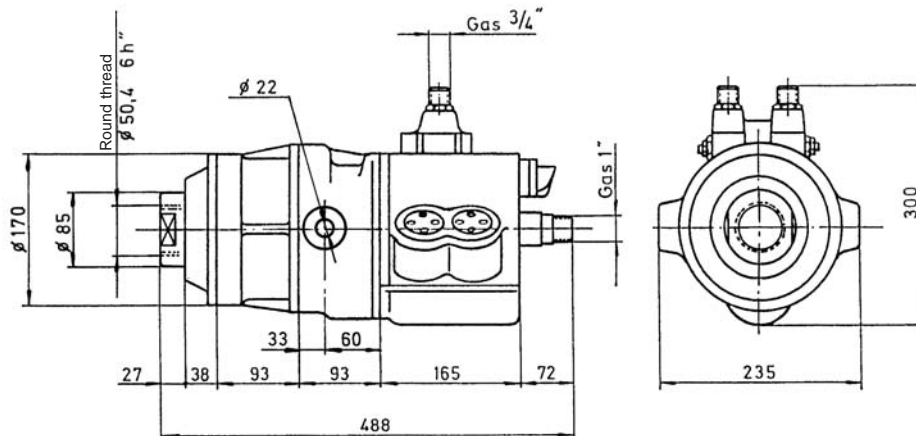
MP22-007 FEED



MPL22-007 ROTATION



MPL22-005 ROTATION (Higher torque)



TECHNICAL DATA (Air pressure = 6 bars)

MODEL	Max. power		Speed at max. power (r/min)	Free speed (r/min)	Torque at max. power (Nm)	Min. starting torque (Nm)	Weight (Kg)	Air consumption at max. power (l/min)
	H.P.	KW						
MP22-007	2.2	1.62	50	105	650	450	22	2,000
MPL22-007	2.2	1.62	50	105	650	450	30.5	2,000
MPL22-005	2.2	1.62	40	82	780	546	42	2,000

NEUMAC

NEUMAC, S.A. Polígono de Malpica, A, 16
50016 ZARAGOZA
España (Spain)

Teléfono (34) 976 57 10 01
Fax (34) 976 57 38 98
E-mail: neumac@neumac.es
www.neumac.es